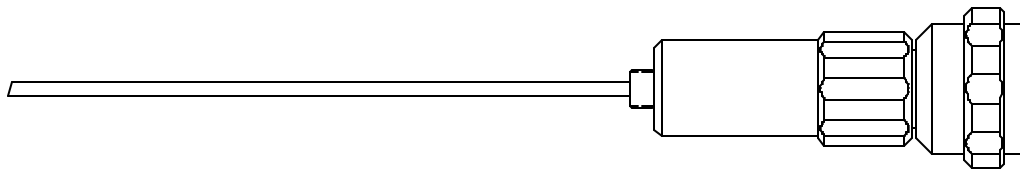


OPERATION MANUAL

MODEL 174326

THRU WALL/CEILING RVI KIT



ITI | INSTRUMENT
TECHNOLOGY, INC.

POB 381, Westfield, MA 01086
33 Airport Road, Westfield, MA 01085

Tel: (413) 562-3606 Fax: (413) 568-9809 Email: iti@scopes.com

www.scopes.com

INTRODUCTION

Thank you for selecting Instrument Technology, Inc. (ITI) to fulfill your remote viewing needs.

Since 1967, ITI has been the Leader in Remote Viewing. The only company of its type doing all its manufacturing in the United States, ITI consistently provides cutting edge technology to customers world-wide.

ITI specializes in the design, development and manufacture of Remote Viewing Instruments (RVI) and systems including Borescopes, Fiberscopes and Videoscopes.

ITI offers over 2,000 standard products as well as products custom designed for unique applications. No matter which ITI product is used, our customers find they are able to observe hostile and difficult to reach environments never dreamed possible before. Though ITI products can solve many remote viewing problems, it is always best to select the proper instrument for any given application. Only then can success be assured.

Your satisfaction is guaranteed with all products purchased from Instrument Technology, Inc. Feel free to contact ITI or your local ITI Representative with any questions.

WARRANTY

Instrument Technology, Inc. warrants that the equipment is fit for the purposes described herein for a period of one year after the date of shipment when used in accordance with the directions for use, and agrees to repair or replace any such defective component part at no cost to the customer.

There are no other express or implied warranties. ITI's sole obligation and purchaser's exclusive remedy for breach of any warranty shall be limited to repair or replacement of the product at the option of ITI. This warranty does not cover, and ITI will not be liable for any resulting direct, proximate, incidental or consequential damages. This warranty does not apply if the product has been subject to misuse, negligence, accident or improper application, nor shall ITI be responsible for work done or repairs made by others.

PRODUCT SPECIFICATIONS

ITI Model 174326 Micro Thru-Wall/Ceiling Remote Viewing Kit (3 Inch WL):

- | | |
|---------------------------|---------------------------------------|
| (1) Micro Thru-Wall Scope | (1) Probe Guide |
| (1) Protective Oversleeve | (1) Drill Bushing |
| (1) Support Bracket | (2) Drill Bits 0.10" & 0.19" diameter |
| | (1) Protective Carrying Case |

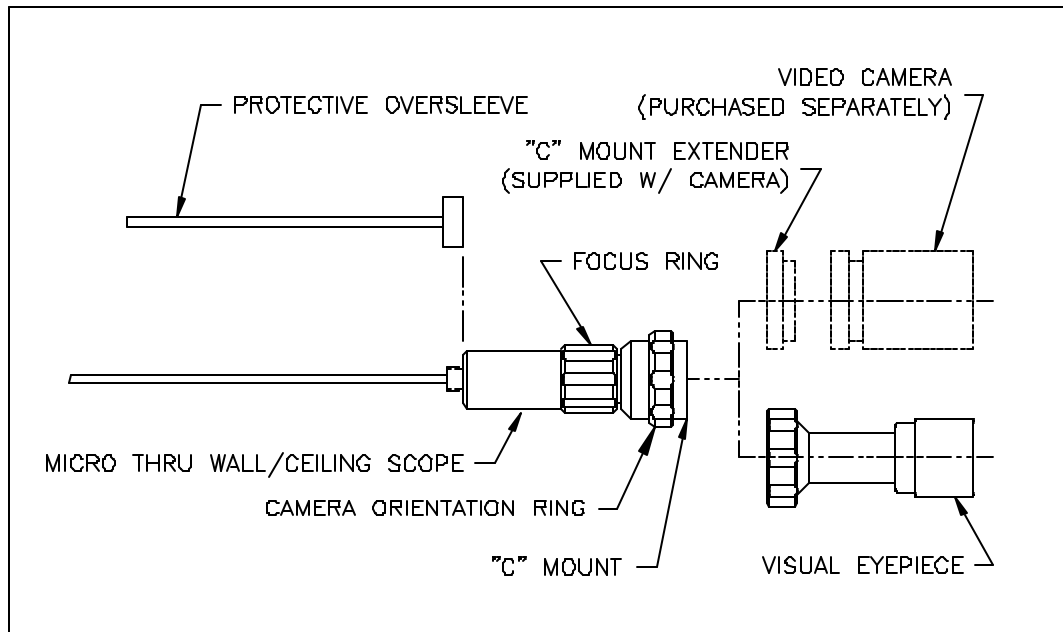
ITI Model 174326 Micro Thru-Wall/Ceiling Remote Viewing Kit (7 & 11 Inch WL):

- | | |
|---------------------------|---------------------------------------|
| (1) Micro Thru-Wall Scope | (1) Probe Guide |
| (1) Protective Oversleeve | (2) Drill Bushings |
| (1) Visual Eyepiece | (2) Drill Bits 0.10" & 0.19" diameter |
| (1) Support Bracket | (1) Protective Carrying Case |

Scope Specifications:

Diameter	2.6mm (0.104")	Field of View	55°
Working Lengths	3, 7 or 11"	Line of Sight	15°

OPERATING INSTRUCTIONS



OVERVIEW OF APPLICATIONS

The Micro Thru-Wall/Ceiling RVI is a small diameter probe intended for covert surveillance. It allows for surveillance into an adjacent room. The Borescope is forward oblique viewing, with a line of sight 15° off center. Rotating scope extends the viewing area to 85°. This kit is intended to provide maximum resolution, portability and quick setup, and features a dedicated "C" mount for video camera attachment.

INSTALLATION & MOUNTING

CAUTION

BORESCOPIES ARE DELICATE GLASS INSTRUMENTS, AND SHOULD BE TREATED ACCORDINGLY. PROPER HANDLING AND CLEANING TECHNIQUES WILL GREATLY INCREASE THE LIFE OF THIS INSTRUMENT. ONLY TRAINED OPERATORS SHOULD HANDLE THIS EQUIPMENT. DO NOT BEND OR APPLY UNNECESSARY STRESS.

1. Fasten Support Bracket to wall or ceiling in desired location with double-sided tape or self-starting screws through the holes provided.
2. Insert Drill Bushing into Support Bracket.

Wall Drilling Procedure

Drill hole completely through the far wall with 0.10 drill bit to accommodate Borescope. Drill a larger hole on the near side of the wall with 0.19 drill bit. This will allow clearance for the larger diameter of the Protective Oversleeve.

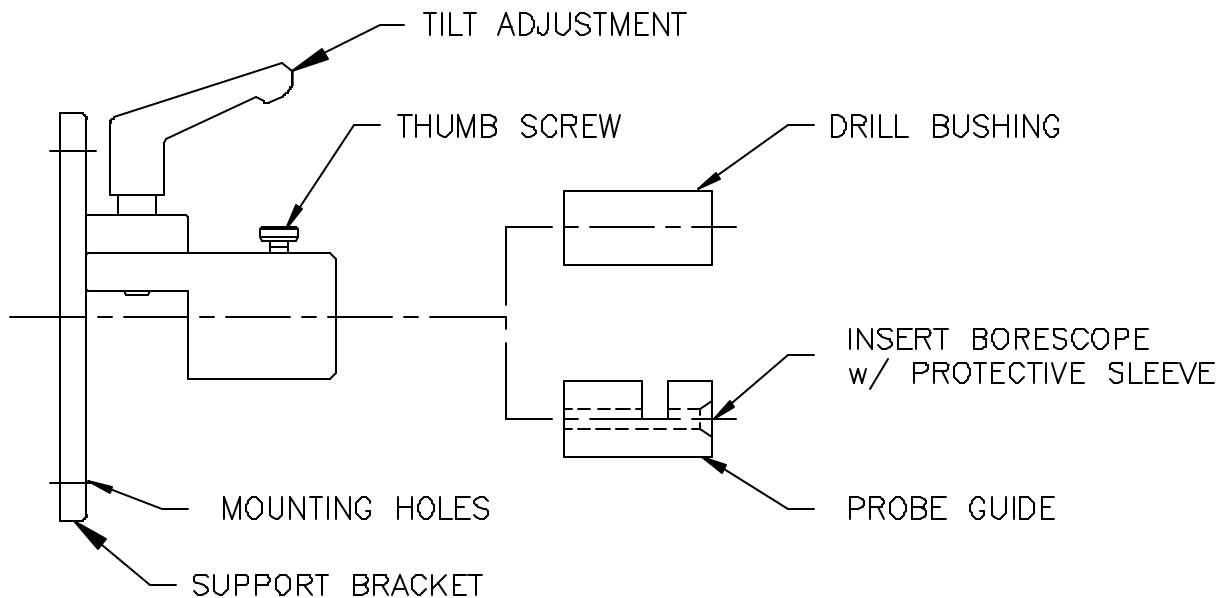
Ceiling Drilling Procedure

Drill hole completely through ceiling with 0.10" drill bit to accommodate Borescope. Drill partially into near side of hole with 0.19" drill bit. This will allow clearance for the larger diameter of the Protective Oversleeve.

Use the Protective Oversleeve whenever possible. This Borescope is made of a solid glass optical system which can not tolerate any deflection over the working length.

NOTE: The Protective Oversleeve does not protect the last 1/2" of the probe's working length. This allows the viewer to drill the smallest possible hole for viewing the room, but requires extra care be taken when handling the probe's end. DO NOT FORCE!

3. Carefully guide Borescope through the Support Bracket. Hand-tighten Thumb Screw onto scope body to secure Borescope.
4. Loosen Tilt Adjustment and pivot scope to desired viewing angle. Hand-tighten Tilt Adjustment to secure scope.
5. Probe Guide may be used to vary Borescope insertion depth. Align slot on Probe Guide with Thumb Screw and insert into Support Bracket. The Protective Oversleeve must be installed on the scope before inserting it into the Probe Guide. Hand-tighten Thumb Screw onto Protective Oversleeve to secure Borescope.



CAMERA CONNECTION

1. A standard "C" mount is supplied on the rear of the Borescope. For use with 1/3" CCD cameras, use the "C" Mount Extender supplied with camera. Screw camera onto the "C" mount or "C" Mount Extender until it bottoms out.

ITI recommends a 1/3" format CCD for use with this Borescope. A 1/2" format CCD can also be used, although the monitor image will be quite small.

2. To obtain an upright image on the monitor, hold Borescope stationary and rotate Camera Orientation Ring and camera together.

VISUAL EYEPIECE

The Eyepiece screws onto the "C" mount. The "C" Mount Extender should not be used when the Eyepiece is in place - you will not be able to obtain proper focus.

FOCUSING

Start with the Borescope out of focus. Rotate Focus Ring so that focus is achieved and continue past clear focus. Rotate Focus Ring in opposite direction to re-establish clear focus.

INSTRUMENT CARE

CLEANING AFTER USE

Wipe instrument after use with a soft, clean cloth. If instrument is soiled, use a non-abrasive, neutral detergent on a damp cloth to clean it. Always store the instrument in a protective case.

NOTE: DO NOT IMMERGE INSTRUMENT IN LIQUID.

CLEANING OF OPTICS

Should cleaning of external surfaces be necessary, blow off dust with a triple-filtered, high pressure optical quality dusting spray. Wipe surface with a clean cotton swab moistened with laboratory grade alcohol. Excess alcohol can be blown away with the spray.

ITI Model 126110 RVI Cleaning Kit may be used.

PRECAUTIONS

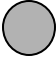


Do not use beyond recommended temperatures:

Maximum 150° F (65° C)

Minimum 32° F (0° C)

Do not allow instrument to contact live or exposed wiring. It is an excellent conductor.

TROUBLESHOOTING GUIDE

Symptom	Possible Problem	Remedy
Dark Image 	Room is extremely dark	Use low light sensitivity CCD
	Dirt on external optical surfaces	Clean optics
	Dirt or liquid on internal optical surfaces	Return to ITI for repair
Image Not Clear 	Dirt on external optical surfaces	Clean optics
	Scope not focused	Focus scope
	Dirt or liquid on internal optical surfaces	Return to ITI for repair
	1/3" CCD without "C" Mount Extender	Use "C" Mount Extender
	1/2" CCD with "C" Mount Extender	Take off "C" Mount Extender
No Image 	Dirt on external optical surfaces	Clean optics
	Scope not inserted completely thru wall	Check drill hole
	Scope is damaged	Return to ITI for repair

REPAIR POLICY

If your equipment requires factory attention, contact ITI's Customer Service Dept. at (413) 562-3606 for a Return Authorization Number. Please be prepared to furnish your model and serial numbers. Return the equipment to ITI, freight prepaid.

Ship to:

Instrument Technology, Inc.
33 Airport Road
Westfield, MA 01085-1357

Please note Return Authorization Number on Purchase Orders, and all shipping documents.

Upon receipt of your equipment, ITI will assess its condition to determine if repairs are needed. If repairs are required, we will quote repair costs and a schedule for repairs. Your options at this point are:

1) Accept Repair

To proceed with the repair, ITI will require a purchase order for the full quoted repair price.

2) Decline Repair - Upgrade to a New Instrument

Choosing this option requires a purchase order for the new equipment at its quoted price. ITI will ship out the next available unit.

3) Decline Repair

Please Note - Most repair evaluations require a partial or complete disassembly of the equipment. **Once disassembled, it is impossible to return it to the customer in "as received" condition.** At the customer's option, ITI will either return your equipment in its disassembled state, or dispose of it.