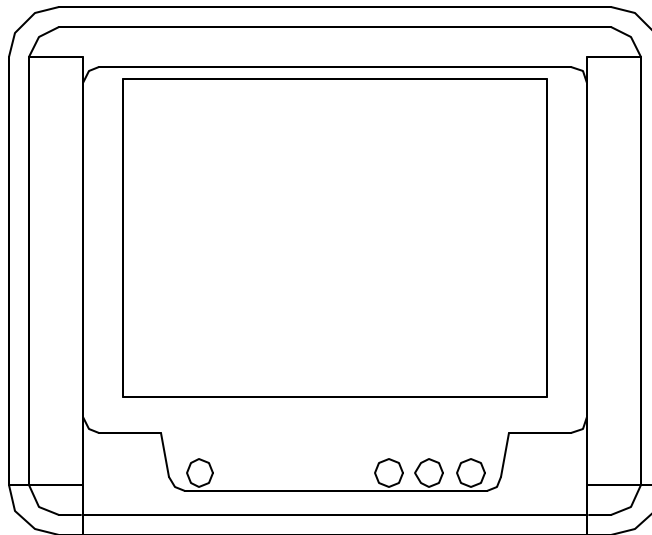


OPERATION MANUAL

MODEL 126390 6.4" TOTE VISION MONITOR



ITI | INSTRUMENT
TECHNOLOGY, INC.

POB 381, Westfield, MA 01086
33 Airport Road, Westfield, MA 01085

Tel: (413) 562-3606

Fax: (413) 568-9809

Email: iti@scopes.com

www.scopes.com

INTRODUCTION

Thank you for selecting Instrument Technology, Inc. (ITI) to fulfill your remote viewing needs.

Since 1967, ITI has been the Leader in Remote Viewing. The only company of its type doing all its manufacturing in the United States, ITI consistently provides cutting edge technology to customers world-wide.

ITI specializes in the design, development and manufacture of Remote Viewing Instruments (RVI) and systems including Borescopes, Fiberscopes and Videoscopes.

ITI offers over 2,000 standard products as well as products custom designed for unique applications. No matter which ITI product is used, our customers find they are able to observe hostile and difficult to reach environments never dreamed possible before. Though ITI products can solve many remote-viewing problems, it is always best to select the proper instrument for any given application. Only then can success be assured.

Your satisfaction is guaranteed with all products purchased from Instrument Technology, Inc. Feel free to contact ITI or your local ITI Representative with any questions.

WARRANTY

Instrument Technology, Inc. warrants that the equipment is fit for the purposes described herein for a period of one year after the date of shipment when used in accordance with the directions for use, and agrees to repair or replace any such defective component part at no cost to the customer.

There are no other express or implied warranties. ITI's sole obligation and purchaser's exclusive remedy for breach of any warranty shall be limited to repair or replacement of the product at the option of ITI. This warranty does not cover, and ITI will not be liable for any resulting direct, proximate, incidental or consequential damages. This warranty does not apply if the product has been subject to misuse, negligence, accident or improper application, nor shall ITI be responsible for work done or repairs made by others.

PRODUCT SPECIFICATIONS

- (1) 6.4" (NTSC) Monitor
- (1) Battery Pack
- (1) View-Shield Case
- (1) 110VAC Battery Charger

Optional Accessories:

<u>ITI Model # or P/N</u>	<u>Description</u>
P/N 119927	ITI 220VAC Battery Charger
P/N 119889	Spare Battery Pack
135314	6' Telescopic Arm

OPERATING INSTRUCTIONS

OVERVIEW OF APPLICATIONS

ITI Model 126390 employs a unique visualization system intended for covert surveillance. It is a fully operational, portable Monitor and Battery kit.

The optional 6' long telescoping arm is structured to allow surveillance into limited access areas. The adjustable camera head allows the user to view around corners and into crawl spaces to search for obstacles and/or barriers.

CAUTION

MONITORS ARE DELICATE INSTRUMENTS, AND SHOULD BE TREATED ACCORDINGLY. PROPER HANDLING AND CLEANING TECHNIQUES WILL GREATLY INCREASE THE LIFE OF THIS INSTRUMENT. ONLY TRAINED OPERATORS SHOULD HANDLE THIS EQUIPMENT.

MONITOR SETUP

NOTICE

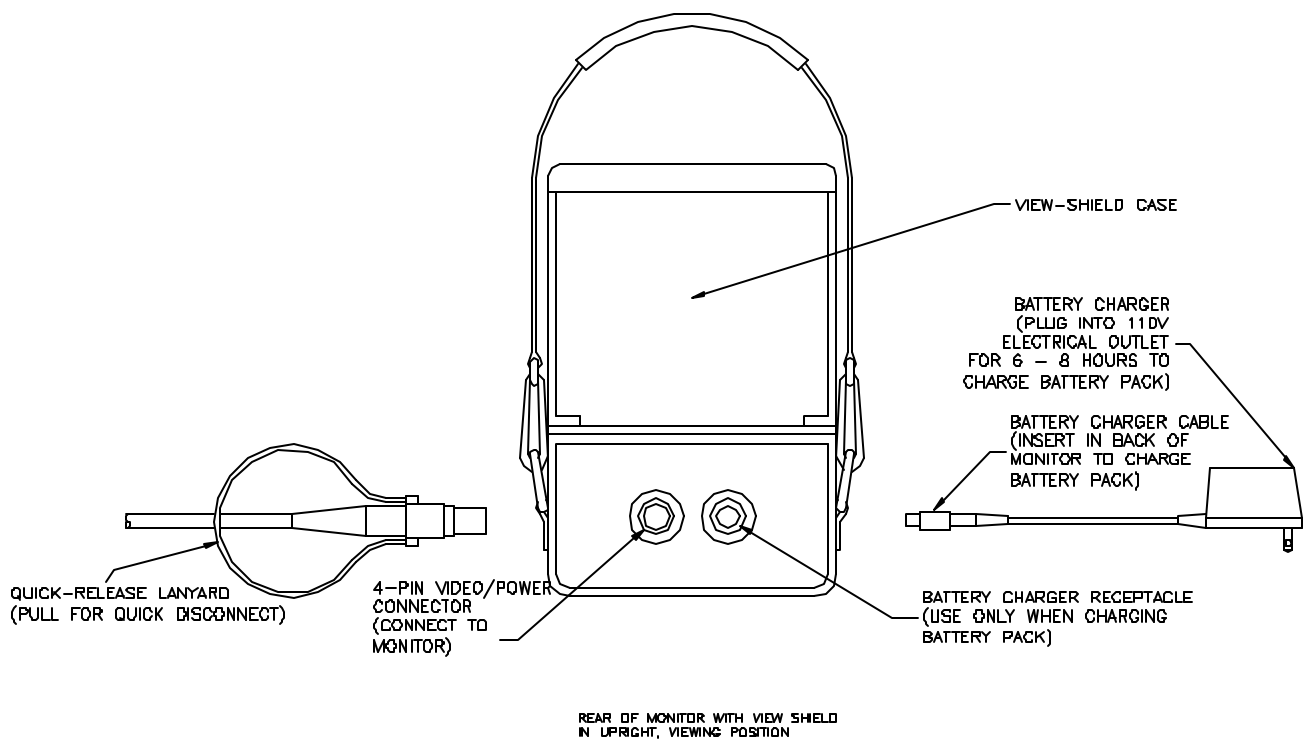
The Monitor has been disconnected from Battery to preserve battery charge during shipment.

See Monitor OM for instructions on reconnecting Monitor & Battery.

Insert the free end of the four pin Video Cable into the four pin Video receptacle located on the rear of the Monitor. Free end of cable has a quick-release lanyard. Pull lanyard for fast disconnects.

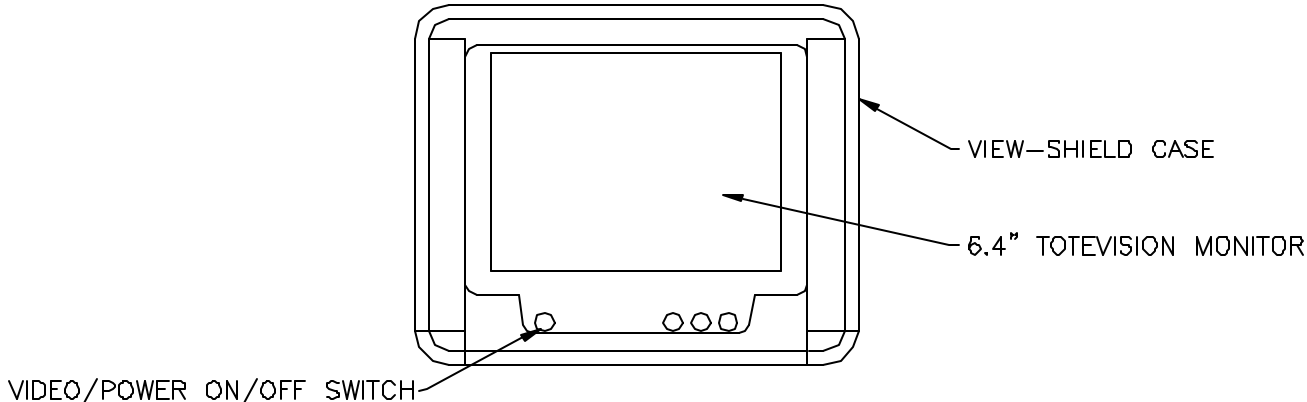
NOTE: Connector ends for Battery Charger and Video Cables are of different configurations, so unit cannot be connected incorrectly.

At sides of Monitor/Battery Pack View-Shield Case, pull hook and loop tapes to release View Shield. Raise View Shield to optimum viewing position and smooth hook and loop tapes to sides of Case to secure.



OPERATION

Video/Power on/off switch on the face controls the power to the Monitor. On a full charge the unit will operate for approximately 15 hours when only Camera and Monitor are on. The power switch should remain in **OFF** position when unit is not in use.



CHARGING BATTERY PACK

Align cable from Battery Charger with outlet on rear of Monitor. Push gently to connect. Plug into grounded power outlet. A full charge will be achieved in approximately 6 - 8 hours.

CHANGING OPTIONAL SPARE BATTERY PACK

Turn all power switches to **OFF** position. Fully unzip rear door of View-Shield Case. Loosen hook and loop cinch strap that holds Battery Pack. Disconnect spent Battery Pack by pulling apart white plastic clips. Pull tab to remove Battery Pack. Replace with fresh Battery Pack. Push white plastic clips together to reconnect. Fasten hook and loop cinch strap to hold Battery Pack securely in case. Zip rear door closed.

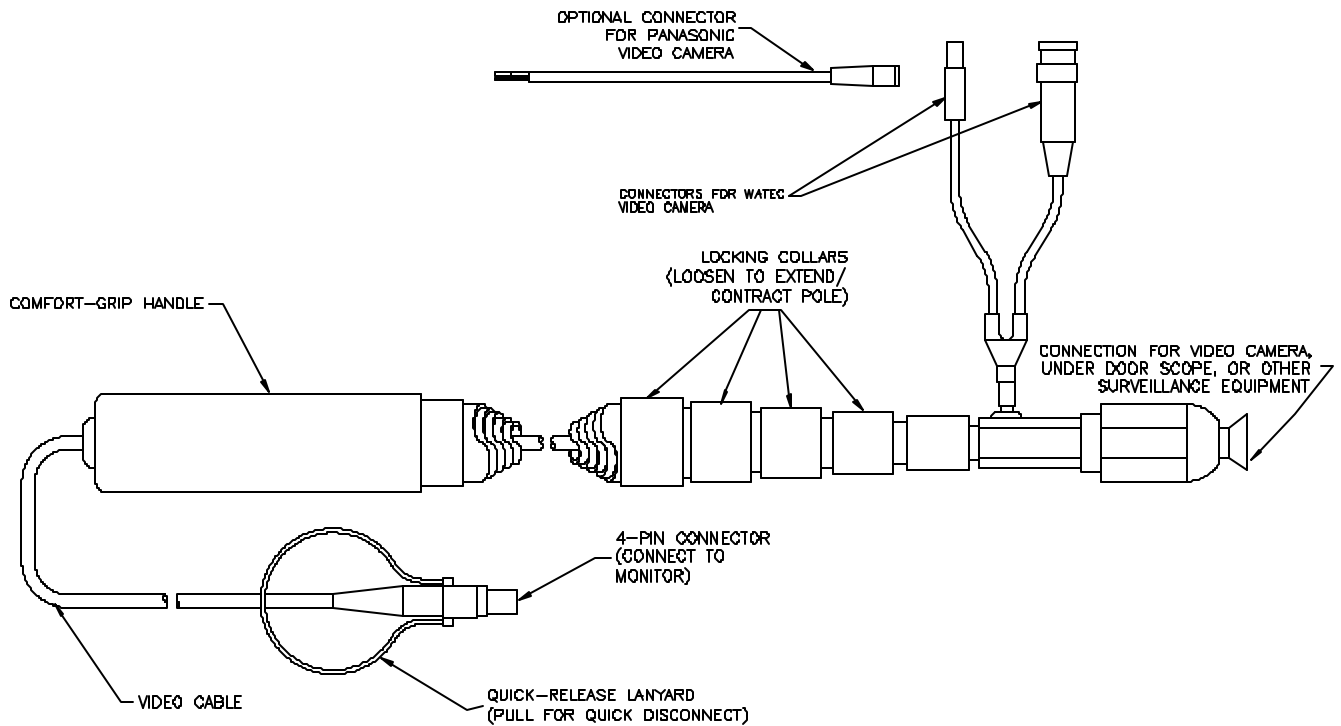
ATTACHING OPTIONAL 6' TELESCOPIC ARM

Insert the free end of the four pin Video Cable from handle end of Telescopic Pole into the four pin Video receptacle located on the rear of the Monitor. Free end of cable has a quick-release lanyard. Pull lanyard for fast disconnects.

NOTE: Connector ends for Battery Charger and Video Cables are of different diameters, so unit cannot be connected incorrectly.

Swivel Lock lever near camera placement allows rotation of separately purchased Video Camera prior to placement of camera in viewing position. After placement, rotate pole manually to reposition.

Twist Locking collars on Telescopic Arm *left* to unlock. Extend Telescopic Arm sections as needed. Twist Locking Collars *right* to lock. Care should be taken to not over-extend short cables at camera end of assembly by wrapping them too tightly around the Swivel Lock mechanism.



INSTRUMENT CARE

CLEANING AFTER USE

Wipe instrument after use with a soft, clean cloth. If instrument is soiled, use a non-abrasive, neutral detergent on a damp cloth to clean it. Always store the instrument in its protective case.

NOTE: DO NOT IMMERSE INSTRUMENT IN LIQUID.

CLEANING OF OPTICS

Should cleaning of external surfaces be necessary, blow off dust with a triple-filtered, and high-pressure optical quality dusting spray. Wipe surface with a clean cotton swab moistened with laboratory grade alcohol. Excess alcohol can be blown away with the spray.

ITI Model 126110 RVI Cleaning Kit may be used.

PRECAUTIONS

Do not use beyond recommended temperatures:

Maximum 150° F (65° C)
Minimum 32° F (0° C)

Do not allow instrument to contact live or exposed wiring. It is an excellent conductor.

REPAIR POLICY

If your equipment requires factory attention, contact ITI's Customer Service Dept. at (413) 562-3606 for a Return Authorization Number. Please be prepared to furnish your model and serial numbers. Return the equipment to ITI, freight prepaid.

Ship to:

Instrument Technology, Inc.
33 Airport Road
Westfield, MA 01085-1357

Please note Return Authorization Number on Purchase Orders, and all shipping documents.

Upon receipt of your equipment, ITI will assess its condition to determine if repairs are needed. If repairs are required, we will quote repair costs and a schedule for repairs. Your options at this point are:

1) **Accept Repair**

To proceed with the repair, ITI will require a purchase order for the full quoted repair price.

2) **Decline Repair - Upgrade to a New Instrument**

Choosing this option requires a purchase order for the new equipment at its quoted price. ITI will ship out the next available unit.

3) **Decline Repair**

Please Note - Most repair evaluations require a partial or complete disassembly of the equipment. **Once disassembled, it is impossible to return it to the customer in "as received" condition.** At the customer's option, ITI will either return your equipment in its disassembled state, or dispose of it.