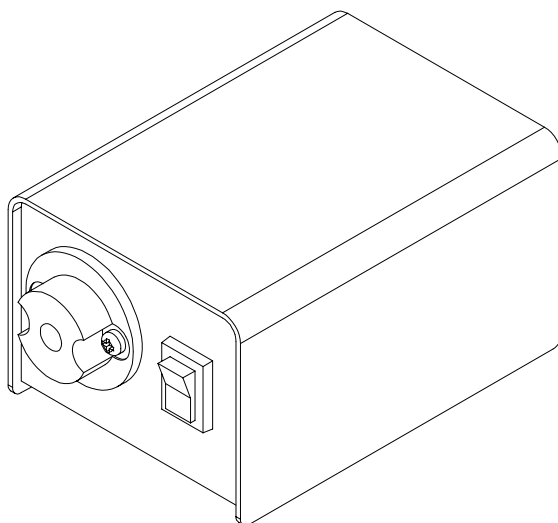


OPERATION MANUAL

MODEL 125060A

24W AC/DC LIGHT SOURCE



ITI | INSTRUMENT
TECHNOLOGY, INC.

POB 381, Westfield, MA 01086
33 Airport Road, Westfield, MA 01085

Tel: (413) 562-3606

Fax: (413) 568-9809

Email: iti@scopes.com

www.scopes.com

INTRODUCTION

Thank you for selecting Instrument Technology, Inc. (ITI) to fulfill your remote viewing needs.

Since 1967, ITI has been the Leader in Remote Viewing. The only company of its type doing all its manufacturing in the United States, ITI consistently provides cutting edge technology to customers world-wide.

ITI specializes in the design, development and manufacture of Remote Viewing Instruments (RVI) and systems including Borescopes, Fiberscopes and Videoscopes.

ITI offers over 2,000 standard products as well as products custom designed for unique applications. No matter which ITI product is used, our customers find they are able to observe hostile and difficult to reach environments never dreamed possible before. Though ITI products can solve many remote viewing problems, it is always best to select the proper instrument for any given application. Only then can success be assured.

Your satisfaction is guaranteed with all products purchased from Instrument Technology, Inc. Feel free to contact ITI or your local ITI Representative with any questions.

WARRANTY

Instrument Technology, Inc. warrants that the equipment is fit for the purposes described herein for a period of one year after the date of shipment when used in accordance with the directions for use, and agrees to repair or replace any such defective component part at no cost to the customer.

There are no other express or implied warranties. ITI's sole obligation and purchaser's exclusive remedy for breach of any warranty shall be limited to repair or replacement of the product at the option of ITI. This warranty does not cover, and ITI will not be liable for any resulting direct, incidental or consequential damages. This warranty does not apply if the product has been subject to misuse, negligence, accident or improper application, nor shall ITI be responsible for work done or repairs made by others.

PRODUCT SPECIFICATIONS

MODEL No 125060A AC/DC LIGHT SOURCE

Lamp Voltage	12 VDC
Line Current (Max)	2 Amps
Color Temp	5,500 °K
Rated Lamp Life	350 Hours (Avg)

550-029 AC POWER SUPPLY

Input Voltage	115/230VAC, 50/60/400Hz
Output Voltage	12VDC

OPTIONAL LIGHT SOURCE EQUIPMENT

<u>ITI PART NO</u>	<u>DESCRIPTION</u>
550-029 *	AC Power Supply, 115/230VAC
B120013 *	Battery Pack – 1.5 Hr
B120017-1	115VAC Battery Charger
B120017-2	230VAC Battery Charger

* One of these must be used to operate the Light Source

REPLACEMENT PARTS

<u>ITEM</u>	<u>ITI P/N</u>
Lamp	408-078

OPERATING INSTRUCTIONS

LAMP REPLACEMENT

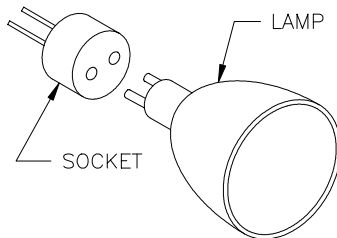
Turn power off and unplug Light Source from power source.

CAUTION: LAMPS WHICH WERE IN OPERATION WILL BE HOT. ALLOW TIME FOR LAMP TO COOL BEFORE REPLACING.

Remove top cover by removing 4 screws on the cover sides and lift cover off base. Pull lamp and socket from bracket on front plate. Unplug lamp from socket and remove lamp.

Reconnect replacement lamp to socket - press socket fully onto lamp pins. Insert lamp into bracket - hold lamp by its outside rim and press lamp gently into bracket. Replace top cover.

CAUTION: TAKE CAUTION NOT TO TOUCH THE BULB OR INSIDE REFLECTIVE SURFACE. CONTAMINANTS MAY CAUSE UNEVEN HEATING AND LEAD TO PREMATURE LAMP FAILURE.



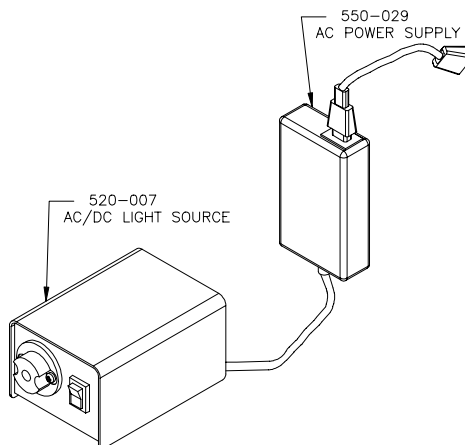
POWERING LIGHT SOURCE

Remove Light Source from shipping container. Visually inspect for any signs of damage or loose parts. Light Source may be powered from one of three separate sources:

ITI Part No 550-029: AC Power Supply. Plug AC Power Cord into grounded outlet. Connect Power Supply Output Cord to jack on Light Source rear panel.

ITI Part No B120013: 1.5 Hr Nicad Battery Pack.

ITI Part No A120016: Directly from 12VDC vehicle source (cigarette lighter). Plug DC Power Cord into vehicle jack.

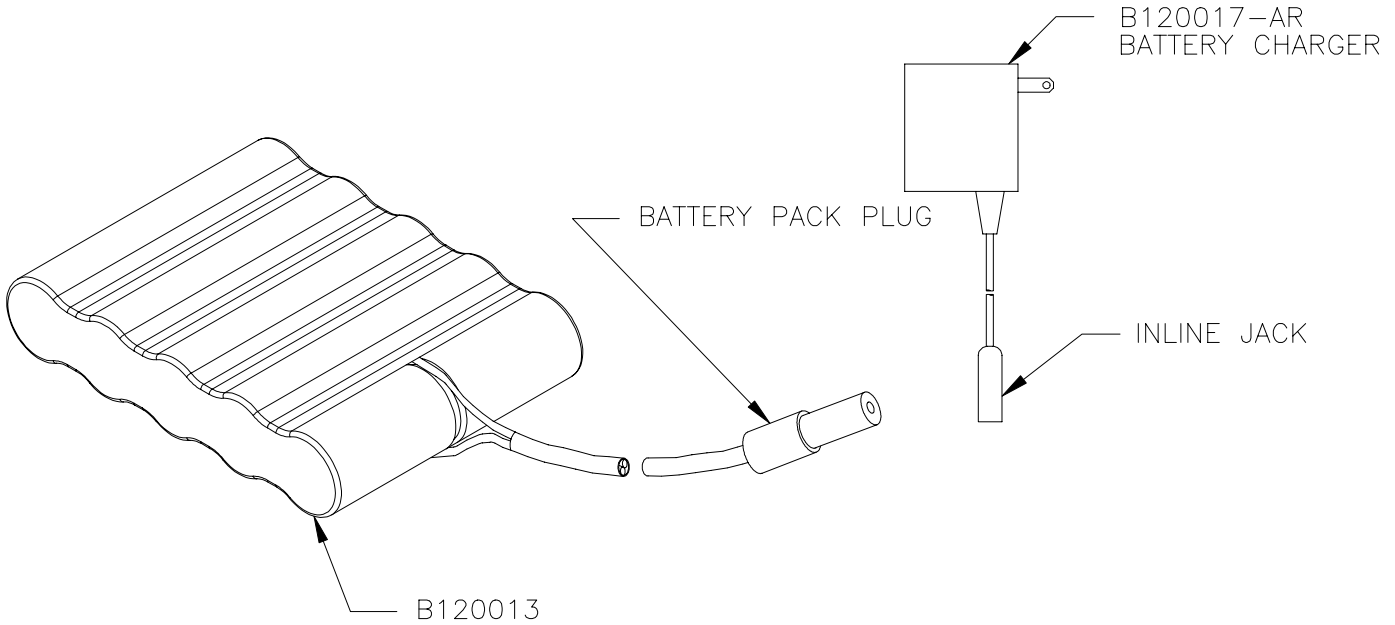


Set rocker switch on Light Source front panel to "ON" position. Rotate lever located on light guide adapter on front panel to control light intensity.

NOTE: ONCE LAMP IS POWERED UP, LEAVE ON FOR AT LEAST 5 MINUTES TO HELP PROLONG BULB LIFE.

RECHARGING BATTERY PACK

Connect charger inline dc power jack onto the battery pack plug. Plug charger into **grounded** wall outlet. Allow 6 to 8 hours for full recharge.



INSTRUMENT CARE

CLEANING AFTER USE

Wipe light source after use with a soft, clean cloth. If light source is soiled, use a non-abrasive, neutral detergent on a damp cloth to clean it. Always store the light source in a protective case.

NOTE: DO NOT IMMERSE LIGHT SOURCE IN LIQUID.

PRECAUTIONS

Do not use beyond recommended temperatures:

Maximum 150° F (65° C)
Minimum 32° F (0° C)

REPAIR POLICY

If your equipment requires factory attention, contact ITI's Customer Service Dept. at (413) 562-3606 for a Return Authorization Number. Please be prepared to furnish your model and serial numbers. Return the equipment to ITI, freight prepaid.

Ship to:

Instrument Technology, Inc.
33 Airport Road
Westfield, MA 01085-1357

Please note Return Authorization Number on Purchase Orders, and all shipping documents.

Upon receipt of your equipment, ITI will assess its condition to determine if repairs are needed. If repairs are required, we will quote repair costs and a schedule for repairs. Your options at this point are:

1) Accept Repair

To proceed with the repair, ITI will require a purchase order for the full quoted repair price.

2) Decline Repair - Upgrade to a New Instrument

Choosing this option requires a purchase order for the new equipment at its quoted price. ITI will ship out the next available unit.

3) Decline Repair

Please Note - Most repair evaluations require a partial or complete disassembly of the equipment. **Once disassembled, it is impossible to return it to the customer in "as received" condition.** At the customer's option, ITI will either return your equipment in its disassembled state, or dispose of it. in its disassembled state, or dispose of it.